

## Datasheet - AZ 17/170-B5

Solenoid interlock / AZM 170 / Actuator



- Particularly suitable for hinged guards (front mounting)



(Minor differences between the printed image and the original product may exist!)

### Ordering details

Product type description	AZ 17/170-B5
Article number	1122895
EAN code	4030661104409

### Global Properties

Product name	Abgewinkelter Betätiger B5
Weight	20 g

### Mechanical data

Design of actuators	angled
Minimum actuating radius	140 mm

### notice

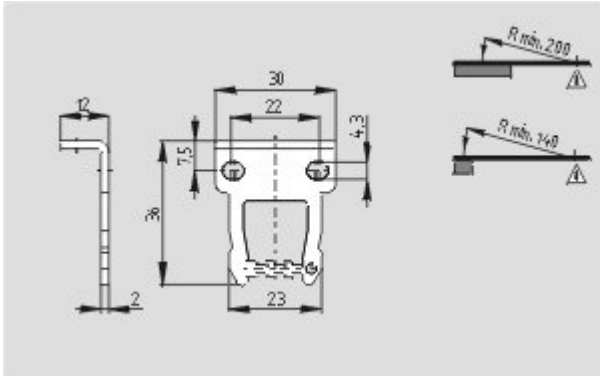
On hinged guards, minimum actuating radius at 90° to the plane of the actuator 140 mm  
minimum actuating radius on hinged guards in line with the plane of the actuator 200 mm  
The axis of the hinge should be 13 mm above the top edge of the safety switch and in the same plane

### Documents

**Mounting and wiring instructions** (de, en, fr, it, es, jp) 178 kB, 20.06.2005  
[http://www.schmersal.net/Bilddata/AZ/Pdf/Az17/montage/M\\_z17p02.pdf](http://www.schmersal.net/Bilddata/AZ/Pdf/Az17/montage/M_z17p02.pdf)

## Images

---



Dimensional drawing (miscellaneous)

---

K.A. Schmersal GmbH, Mödinghofe 30, D-42279 Wuppertal

The data and values have been checked thoroughly. Technical modifications and errors excepted.

Generiert am 23.03.2010 - 17:16:55h Kasbase 1.3.5 DBI